

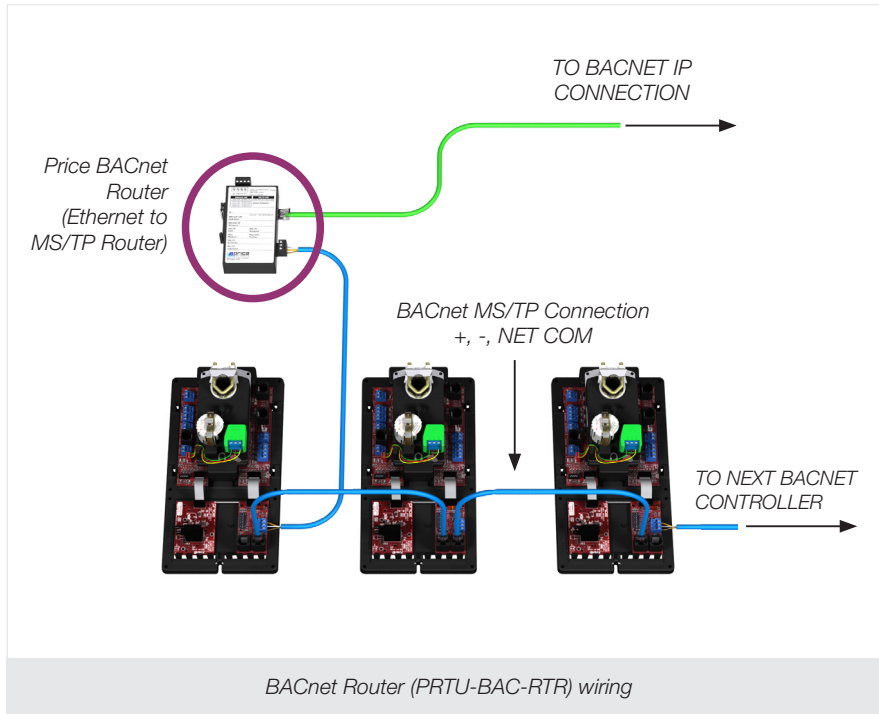
PRTU-BAC-RTR

PRICE BACNET ROUTER



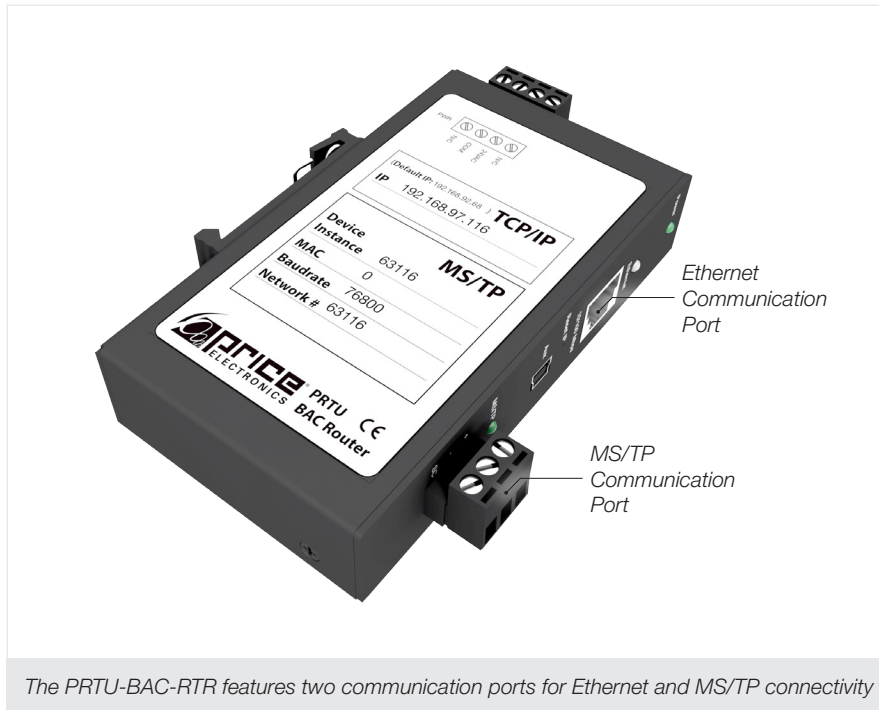
Typical System Configuration

The PRTU-BAC-RTR enables the transmission of information between BACnet networks such as BACnet/IP, BACnet Ethernet and BACnet MS/TP. Devices on these networks are then discoverable on a front end system like the Price Web Server or on a BAS System, and are configurable online through any web browser.



FEATURES

- + Connects BACnet IP/Ethernet to BACnet MS/TP segments
- + Displays status of power and Ethernet via diagnostic LED
- + Configurable baud rate: 9600, 19200, 38400, 76800 (fastest and default baud rate for Price products)
- + Can pull in a maximum of 30 devices on a BACnet network
- + Two communication ports:
 - (1) 10/1000 Mbps Ethernet port: 10 Base-t, 100 Base-TX Physical Layer
 - (1) Optically isolated MS/TP port: ANSI/ASHRAE 135 (ISO 16848-5), EIA-485 Physical Layer



PRICE | CONTROLS

Product Improvement is a continuing endeavour at Price. Therefore, specifications are subject to change without notice. Consult your Price Sales Representative for current specifications or more detailed information. Not all products may be available in all geographic areas. All goods described in this document are warranted as described in the Limited Warranty shown at priceindustries.com. The complete Price product catalog can be viewed online at priceindustries.com.